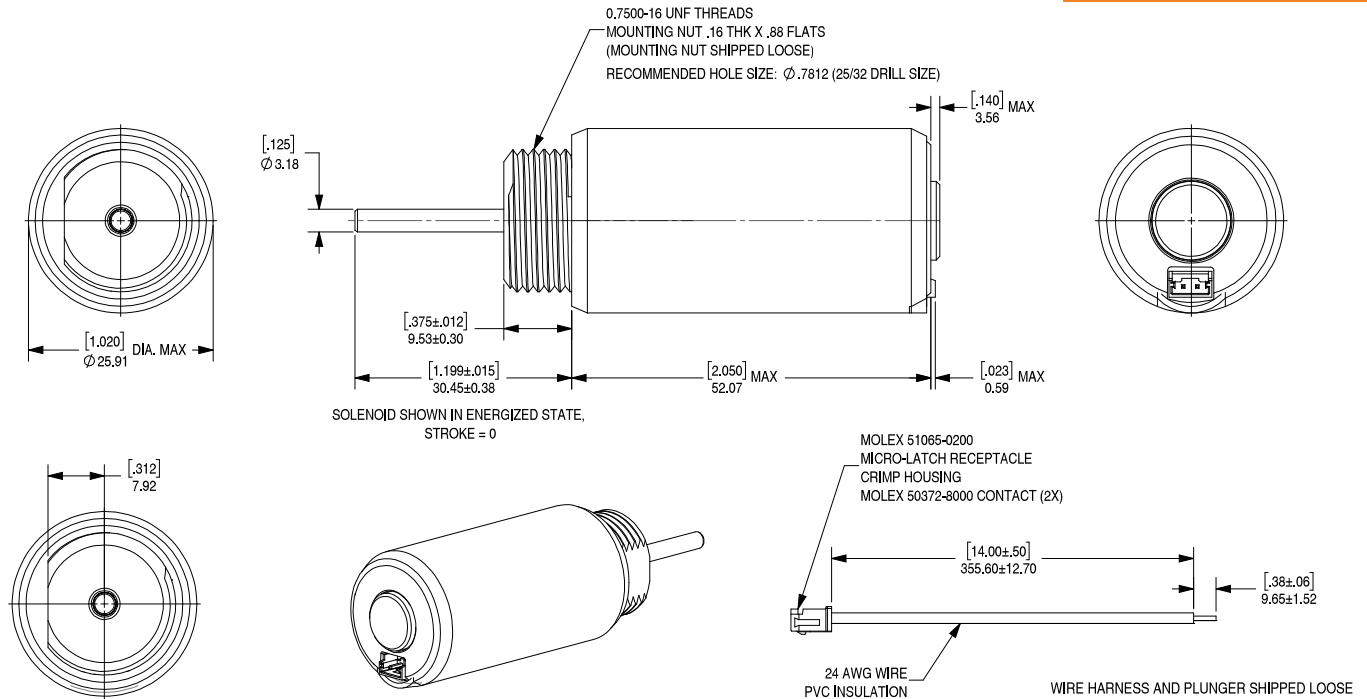


# Tubular Solenoid 100

**PUSH  
TYPE**



Part No.	Duty Cycle	Ampere Turns <sup>4</sup>	Max. ON Time Continuous Pulse (sec.) <sup>1</sup>	Max. ON Time Single Pulse (sec.)	Voltage (V) <sup>3</sup>	Resistance (Ω)	Power (W)	Current (A)
1671-9B20008	25%	2332	32	120	10.4	2.7	40	3.87
	100%	1166	∞	∞	5.2		10	1.93
1671-9B40010	25%	2332	32	120	35.0	31.2	40	1.12
	100%	1166	∞	∞	17.7		10	0.57
1671-9B60012	25%	2332	32	120	45.0	49.6	40	0.91
	100%	1166	∞	∞	22.0		10	0.44

### Typical Push Force - lbf (N)<sup>2</sup>

Stroke - in.(mm)	0.000 (0.00)	0.100 (2.54)	0.200 (5.08)	0.300 (7.62)	0.400 (10.16)	0.500 (12.70)	0.600 (15.24)
Continuous Duty	5.140 (22.86)	2,196 (9.77)	1,085 (4.83)	0,640 (2.85)	0,441 (1.96)	0,343 (1.53)	0,274 (1.22)
Intermittent Duty	7,597 (33.79)	5,434 (24.17)	3,638 (16.18)	2,453 (10.91)	1,791 (7.97)	1,420 (6.32)	1,145 (5.09)

## Performance

Dielectric Strength 1000Vrms  
 Recommended Minimum Heat Sink Maximum watts dissipated by solenoid are based on an unrestricted flow of air at 20°C, with solenoid mounted on the equivalent of an aluminum plate measuring 4" square by 1/8"

Class B Insulation System

<sup>1</sup> Continuously pulsed at stated watts and duty cycle

<sup>2</sup> All values shown are average at 20°C

<sup>3</sup> Other voltages available (please consult factory)

<sup>4</sup> Reference number of turns

RoHS Compliant

Made in Ohio, USA